



Intellectual Property Office of Singapore

51 Bras Basah Road #04-01
Plaza By The Park Singapore 189554
Tel: (65) 63398616 (General) Fax: (65) 63390252
(Patents) Fax: (65) 63399230
<http://www.ipos.gov.sg>

RF 460A

In Reply Please Quote Our Reference

Your Ref : PLS-8002
Our Ref : 2009011909/090914/TMLLK/3616
Date : 14/09/2009
Writer's Direct Line : 63316558 (Qinyi)

PRECISION LASER SOLUTIONS PTE LTD
29 MANDAI ESTATE
#03-11 TOWER 3
INNOVATION PLACE
SINGAPORE 729932

Dear Sir,

Singapore Patent Application No.: 200901190-9

Title of Invention: PROCESS AND APPARATUS FOR LASER SELECTIVE SEPARATION

RECORDAL OF ASSIGNMENT FROM LASERRESEARCH (S) PTE LTD (SG) (SG) TO PRECISION LASER SOLUTIONS PTE LTD (SG)

We refer to your Patents Form 24 that was lodged with the Registry on 11/09/2009.

We are pleased to inform you that the recordal of assignment for the above mentioned patent application is duly completed.

The patent application now stands in the name of **PRECISION LASER SOLUTIONS PTE LTD (SG) of 29, MANDAI ESTATE, #03-11, INNOVATION PLACE TOWER 3, SINGAPORE 729932.**

The transaction [has been registered in the register of Patents and] will be published in the next issue of the Patents Journal.

Thank you.

Yours faithfully,

A handwritten signature in blue ink, appearing to read 'Diana', is written over a horizontal line.

Lim Lee Kian Diana
for REGISTRAR OF PATENTS
SINGAPORE



(WO/2008/024076) PROCESS AND APPARATUS FOR LASER SELECTIVE SEPARATION

Biblio. Data Description Claims National Phase Notices Documents

Latest bibliographic data on file with the International Bureau 

Pub. No.: WO/2008/024076 **International Application No.:** PCT/SG2007/000266
Publication Date: 28.02.2008 **International Filing Date:** 21.08.2007
Chapter 2 Demand Filed: 23.06.2008

IPC: H01J 9/52 (2006.01), B23K 26/40 (2006.01), C03B 33/09 (2006.01)

Applicants: LASERRESEARCH (S) PTE LTD [SG/SG]; 2 International Business Park, #02-03, The Strategy, Singapore 609930 (SG) (All Except US).
 CHEN, Tao [SG/SG]; (SG) (US Only).
 WU, Naien [SG/SG]; (SG) (US Only).
 DUAN, Jun [CN/SG]; (SG) (US Only).
 GOH, Jui Kiat [SG/SG]; (SG) (US Only).

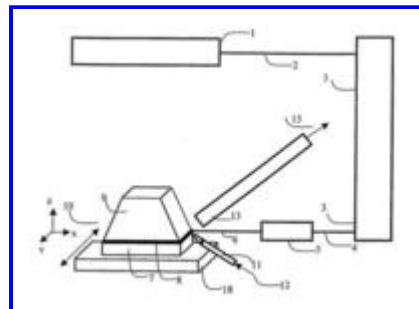
Inventors: CHEN, Tao; (SG).
 WU, Naien; (SG).
 DUAN, Jun; (SG).
 GOH, Jui Kiat; (SG).

Agent: LAWRENCE Y D HO & ASSOCIATES PTE LTD; 30 Bideford Road, #02-02 Thongsia Building, Singapore 229922 (SG).

Priority Data: 60/823,094 21.08.2006 US

Title: PROCESS AND APPARATUS FOR LASER SELECTIVE SEPARATION

Abstract: A laser glass separation device and method is provided for separating glass pieces (7,9) such as CRT screens which are joined by an adhesive (8). Laser wavelength (6) is selected and directed at the adhesive such that the adhesive is melted or burnt out without any substantial change the glass pieces. Gas suction (11) removes debris.



Designated States: AE, AG, AL, AM, AT, AU, AZ, BA, BB, BG, BH, BR, BW, BY, BZ, CA, CH, CN, CO, CR, CU, CZ, DE, DK, DM, DO, DZ, EC, EE, EG, ES, FI, GB, GD, GE, GH, GM, GT, HN, HR, HU, ID, IL, IN, IS, JP, KE, KG, KM, KN, KP, KR, KZ, LA, LC, LK, LR, LS, LT, LU, LY, MA, MD, ME, MG, MK, MN, MW, MX, MY, MZ, NA, NG, NI, NO, NZ, OM, PG, PH, PL, PT, RO, RS, RU, SC, SD, SE, SG, SK, SL, SM, SV, SY, TJ, TM, TN, TR, TT, TZ, UA, UG, US, UZ, VC, VN, ZA, ZM, ZW.
 African Regional Intellectual Property Org. (ARIPO) (BW, GH, GM, KE, LS, MW, MZ, NA, SD, SL, SZ, TZ, UG, ZM, ZW)
 Eurasian Patent Organization (EAPO) (AM, AZ, BY, KG, KZ, MD, RU, TJ, TM)
 European Patent Office (EPO) (AT, BE, BG, CH, CY, CZ, DE, DK, EE, ES, FI, FR, GB, GR, HU, IE, IS, IT, LT, LU, LV, MC, MT, NL, PL, PT, RO, SE, SI, SK, TR)
 African Intellectual Property Organization (OAPI) (BF, BJ, CF, CG, CI, CM, GA, GN, GQ, GW, ML, MR, NE, SN, TD, TG).

Publication Language: English (EN)

Filing Language: English (EN)